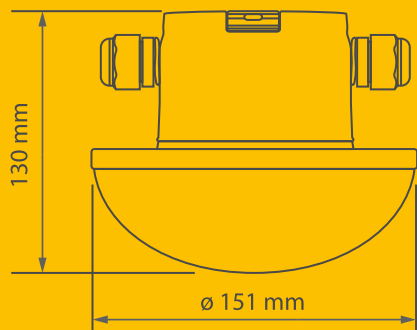


# PIKON

Efficiency, quality and longevity make the AMTEK family of luminaires an integral component of your optimized lighting plan.

## SPECIFICATIONS



<b>TECHNOLOGY</b>	LED
<b>POWER</b>	9 W
<b>VOLTAGE</b>	48 VDC
<b>LUMENS</b>	1000 delivered
<b>EFFICACY</b>	111.11 lm./W
<b>CRI</b>	> 85 Ra.
<b>CCT</b>	3000 Kelvin*
<b>DIMMABLE</b>	0-100%
<b>FLICKER</b>	Flicker free
<b>BASE MATERIAL</b>	ABS
<b>DIFFUSER MATERIAL</b>	PMMA impact resistant
<b>LIFETIME</b>	> 50,000 hrs.
<b>OPERATING TEMPERATURE</b>	-10°C to +40°C
<b>IP GRADE</b>	IP 67
<b>WARRANTY</b>	5 years
<b>NET WEIGHT</b>	0.4 kg.
<b>CERTIFICATION</b>	CE RoHS

\* Other Kelvin, UV-A, blue, red, green and combination dimmable lamps available.

## APPLICATIONS

PIKON's compact design and *Fast-Wire*-connector-on-fixed-steel-cable installation make it particularly well-suited to deliver ideal light levels for birds in floor farm operations with lower height ceilings that do not require lamp cable extensions\*\*.

LAYING HEN FLOOR	BROILER & TURKEY FLOOR	PARENT STOCK FLOOR	REARING FLOOR
<ul style="list-style-type: none"> <li>• 2.5 m. height</li> <li>• 4 m. distance between lamps</li> </ul>	<ul style="list-style-type: none"> <li>• 2.5 m. height</li> <li>• 3.6 m. distance between lamps</li> </ul>	<ul style="list-style-type: none"> <li>• 2.5 m. height</li> <li>• 2.6 m. distance between lamps</li> </ul>	<ul style="list-style-type: none"> <li>• 2.5 m. height</li> <li>• 3.6 m. distance between lamps</li> </ul>

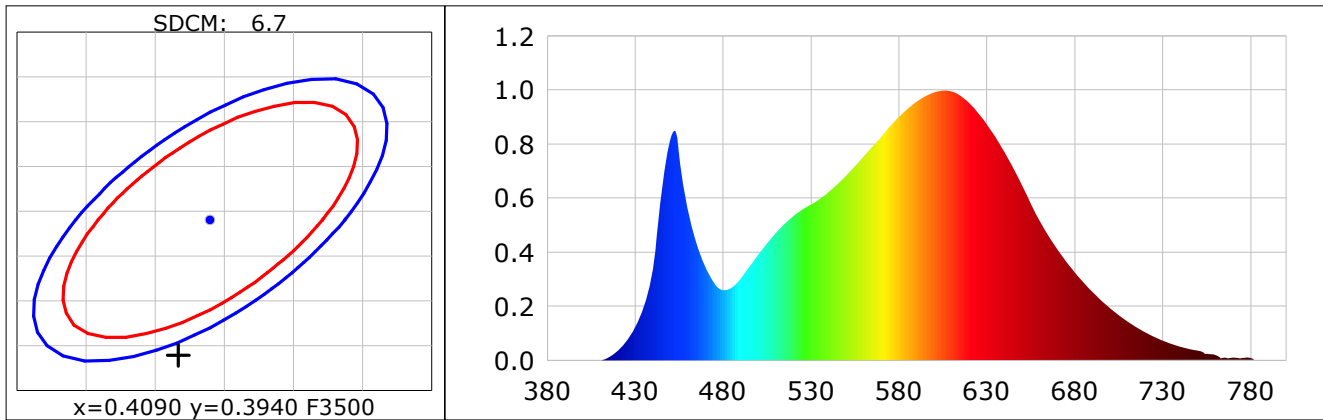
\*\* Depending on lamp installation, it is possible to get an average of 100 lx. at floor level.



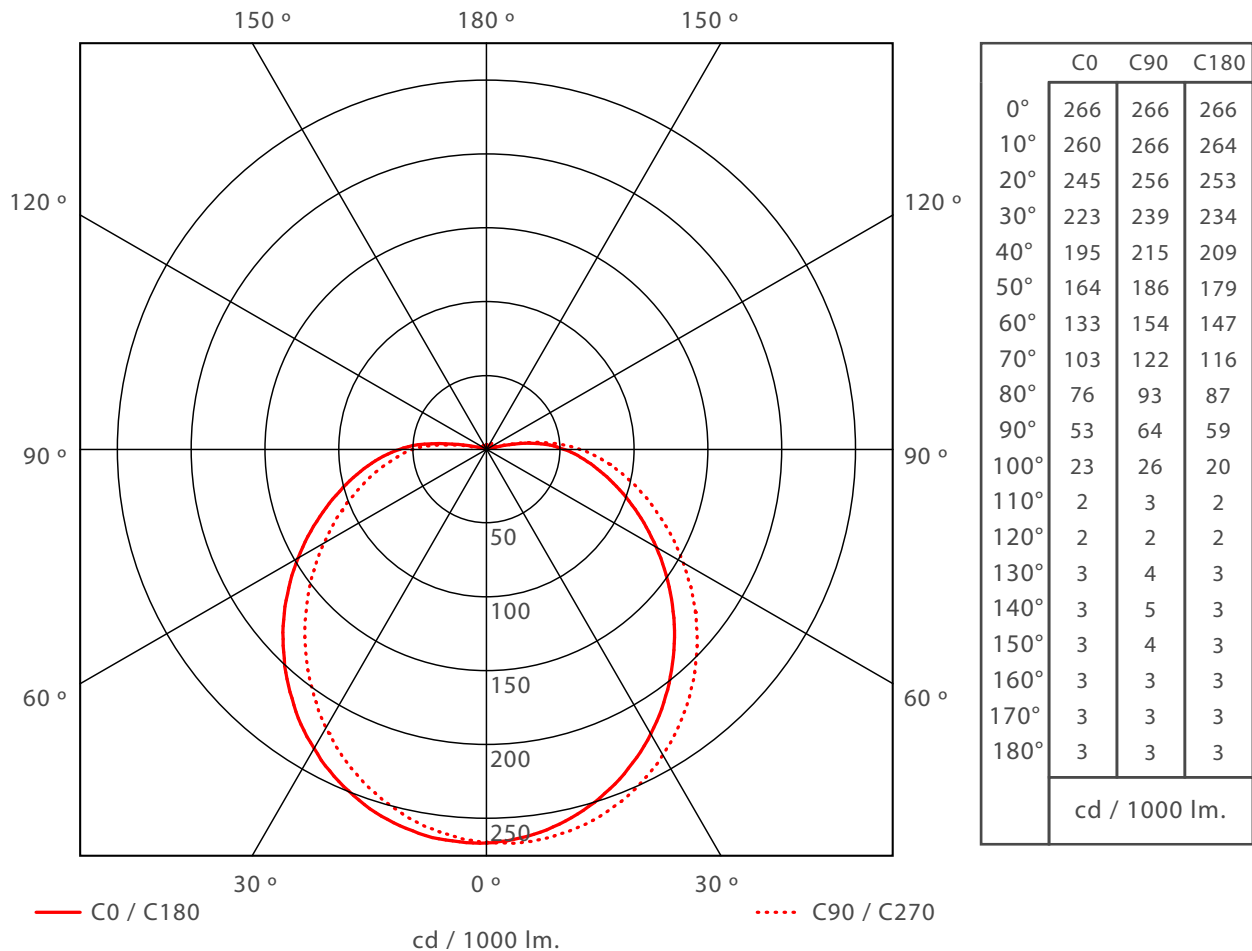
We Enlighten Your Life  
Nous Illuminons Ta Vie  
Iluminamos Tu Vida

AMTEK GROUP, Suite #200, 550 Sherbrooke West, Montréal, Québec, Canada, H3A 1B9  
Tel: +1(514) 819-1653 | [www.amtekgroup.com](http://www.amtekgroup.com)

# PIKON *Photometric Data*



## PIKON-9W-D (Warm White)



We Enlighten Your Life  
 Nous Illuminons Ta Vie  
 Iluminamos Tu Vida

AMTEK GROUP, Suite #200, 550 Sherbrooke West, Montréal, Québec, Canada, H3A 1B9  
 Tel: +1(514) 819-1653 | www.amtekgroup.com